


KANSHINE ELECTRICAL LIMITED



KANSHINE ELECTRICAL LIMITED

 No. 99, Chang Feng Qiao Road,
Yuyao, Ningbo, China

 +86 574 8827 8771

 +86 574 8827 8159

 info@kanshine.com

 www.kanshine.com

CATALOGUE
-Outdoor Lighting



CAMERA FLOODLIGHT-SECURITY

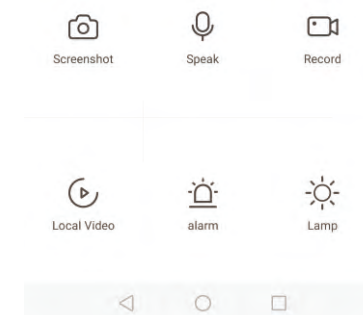
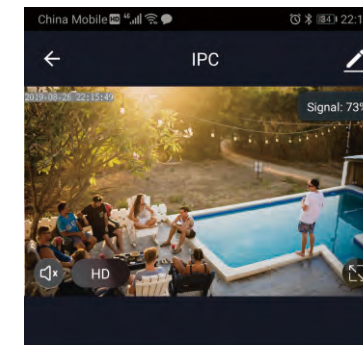
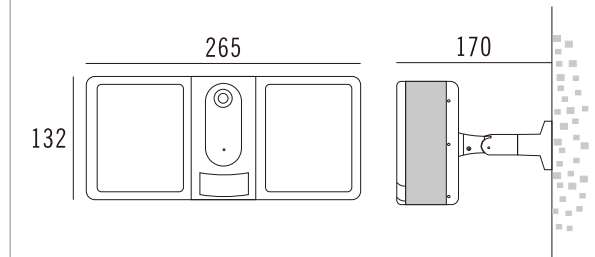
OUTDOOR SECURITY

-To protect your home with a motion-activated security camera

Chip:	MSC313E
Video sensor type:	1/2.9" CMOS
Pixel:	2.0Mega
Min Illuminance	Color 0.03@F2.0,Black&White 0.003lux@F2.0
Camera View angle:	140°
Shutter:	1/25-1/100,000 per second
WDR:	Digital WDR
Video compression standard:	H. 2.64/H.2.65 32Kbps-2Mbps
Max picture size:	1920x1080
Frame rate:	1x20 per second
Audio:	Full duplex audio
Storage:	Support SD card(Max 128G) Cloud storage NVR
Image setting:	Support HD/SD, Support mirror
Reset:	Support
Lighting Control:	Support manual, sensor, plan switch light
Interface protocol:	Private
Communication protocol:	TCP/IP, HTTP, DHCP,DNS,RTSP
General function:	Dual stream password protection
Wi-Fi:	IEEE802.11b/g/n
PIR:	Support PIR and motion detection
Working temperature and humidity:	-20 C +60 C, humidity than 90%(without condensation)
Power supply:	AC90V-250V



- **Luminaire material**
Plastic body
Die-casting aluminium bracket
- **Diffuser**
Polycarbonate
- **Connection**
Terminal block
- **Installation**
Wall surface-Screws
- **(mm)**



- Tuya APP
- Smart life APP
- Google Chromcast
- Amazone Echo Show

- **HD VIDEO**
- **PIR**
- **20W SMD bright floodlight**
- **Speaking & Reciving**
- **Motion-activated**
- **Alarm**
- **Record**
- **Timer**
- **Dimmable**

Light Source	SMD
Power Consumption	2x10W
LED Driver	Isolation LED driver
Initial Luminous Flux	1400lm-4000K
CRI	>80
Power Factor	>0.95
Light Beam Angle	120 degrees
IK	IK07
IP Rate	IP54

Ordering info.

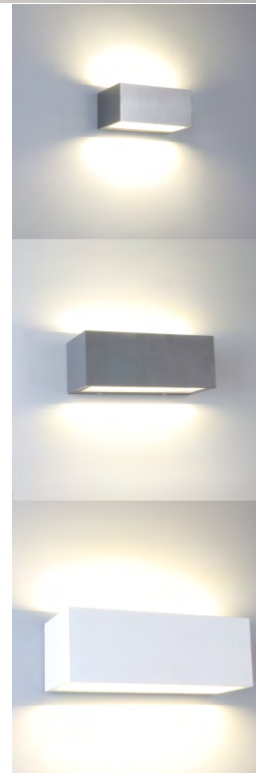
Model	Power	Luminous	Diffuser	Input
SC-19901	2x10W	1400lm-4000K	1)Opal 2)Frost	1)110V~ 2)230V~ 3)80V-265V~





- **Luminaire material**
Die-casting aluminium with powder coat or electro-plated finish
- **Diffuser**
Toughened glass
- **Reflector**
Plastic-smooth white
- **Installation**
Wall surface-Screws
- **Connection**
Terminal block

- **Light Source**
LED-SMD or E27
- **LED Driver**
Isolation LED driver
- **Light Beam Angle**
120 degrees
- **IP Rate**
IP65
- **IK**
IK6
- **Class**
Class 1



Ordering info.

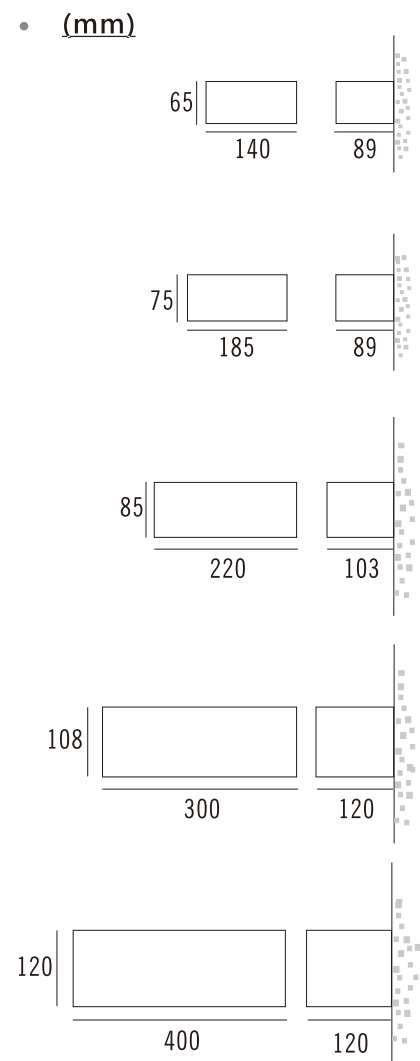
Model	Power	Luminous	P.F.	CRI	Diffuser	Input
1)WS-1064-140	12W	840lm	>0.65	>85	1)Clear 2)Frost	1)110V~ 2)230V~ 3)80V-265V~
2)WS-1064-140-E27	E27 lamp holder					

Model	Power	Luminous	P.F.	CRI	Diffuser	Input
1)WS-1064-185	12W	840lm	>0.65	>85	1)Clear 2)Frost	1)110V~ 2)230V~ 3)80V-265V~
2)WS-1064-185-E27	E27 lamp holder					

Model	Power	Luminous	P.F.	CRI	Diffuser	Input
1)WS-1064-220	20W	1450lm	>0.90	>85	1)Clear 2)Frost	1)110V~ 2)230V~ 3)80V-265V~
2)WS-1064-220-E27	E27 lamp holder					

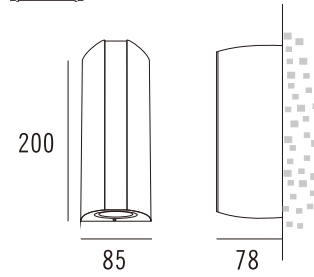
Model	Power	Luminous	P.F.	CRI	Diffuser	Input
1)WS-1064-300	40W	2880lm	>0.95	>85	1)Clear 2)Frost	1)110V~ 2)230V~ 3)80V-265V~
2)WS-1064-300-E27	E27 lamp holder					

Model	Power	Luminous	P.F.	CRI	Diffuser	Input
1)WS-1064-400	60W	4400lm	>0.95	>85	1)Clear 2)Frost	1)110V~ 2)230V~ 3)80V-265V~
2)WS-1064-400-E27	E27 lamp holder					





- **Luminaire material**
Die-casting aluminium with powder coat or electro-plated finish
- **Diffuser**
Up & down in toughened glass
Front in PC diffuser
- **Connection**
Terminal block
- **Installation**
Wall surface-Screws
- **(mm)**



WS-19010

- **(mm)**
-

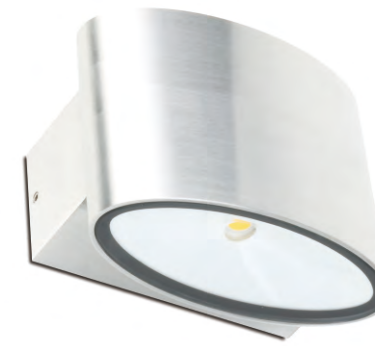
WS-19011

Light Source	COB & SMD
Power Consumption	2x4W COB & 4W SMD
LED Driver	Isolation LED driver
Initial Luminous Flux	720lm-4000K
CRI	>80
Power Factor	>0.60
Light Beam Angle	90 degrees
IK	IK06
Class	Class 1
IP Rate	IP65

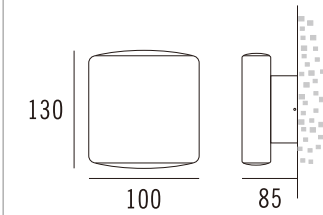
Ordering info.

Model	Power	Luminous	Diffuser	Input
WS-19010	12W	720lm	1)Clear 2)Frost	1)110V~ 2)230V~ 3)80V-265V~

Model	Power	Luminous	Diffuser	Input
WS-19011	12W	720lm	1)Clear 2)Frost	1)110V~ 2)230V~ 3)80V-265V~



- **Luminaire material**
Die-casting aluminium with powder coat or electro-plated finish
- **Diffuser**
Toughened glass
- **Connection**
Terminal block
- **Installation**
Wall surface-Screws
- **(mm)**



WS-19020

- **(mm)**
-

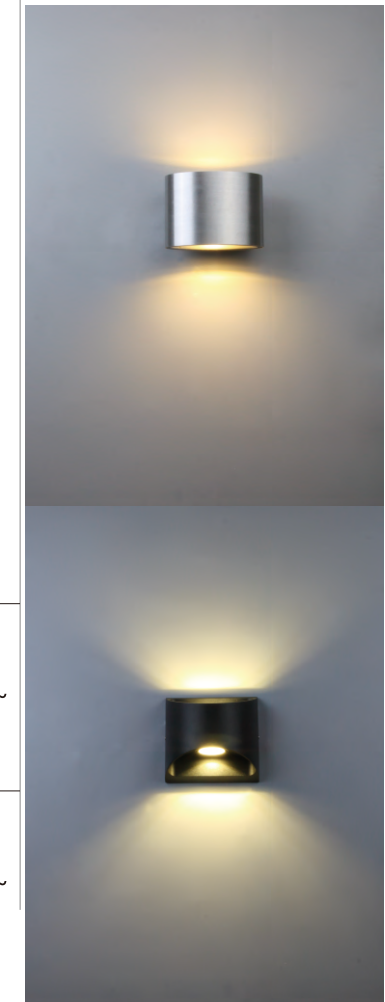
WS-19021

Light Source	COB
Power Consumption	2x5W
LED Driver	Isolation LED driver
Initial Luminous Flux	850lm-4000K
CRI	>80
Power Factor	>0.6
Light Beam Angle	120 degrees
IK	IK06
Class	Class 1
IP Rate	IP65

Ordering info.

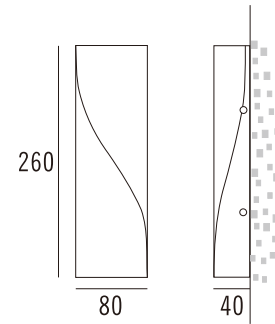
Model	Power	Luminous	Diffuser	Input
WS-19020	2x5W	850lm	1)Clear 2)Frost	1)110V~ 2)230V~ 3)80V-265V~

Model	Power	Luminous	Diffuser	Input
WS-19021	2x5W	850lm	1)Clear 2)Frost	1)110V~ 2)230V~ 3)80V-265V~





- **Luminaire material**
Die-casting aluminium with powder coat
- **Diffuser**
Toughened glass
- **Connection**
Terminal block
- **Installation**
Wall surface-Screws
- **(mm)**



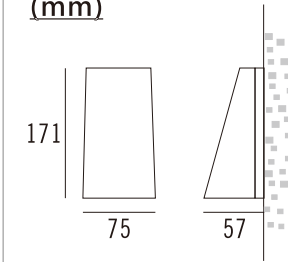
Light Source	COB
Power Consumption	2x6W
LED Driver	Isolation LED driver
Initial Luminous Flux	880lm-4000K
CRI	>80
Power Factor	>0.95
Light Beam Angle	90 degrees
IK	IK06
Class	Class 1
IP Rate	IP65

Ordering info.

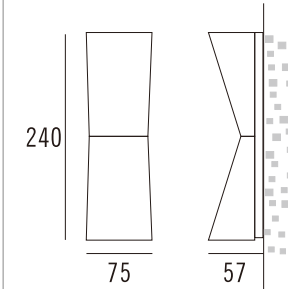
Model	Power	Luminous	Diffuser	Input
WS-19030	2x6W	880lm	1)Clear 2)Frost	1)110V~ 2)230V~ 3)80V-265V~



- **Luminaire material**
Die-casting aluminium with powder coat
- **Diffuser**
Toughened glass
- **Connection**
Terminal block
- **Installation**
Wall surface-Screws
- **(mm)**



- **(mm)**

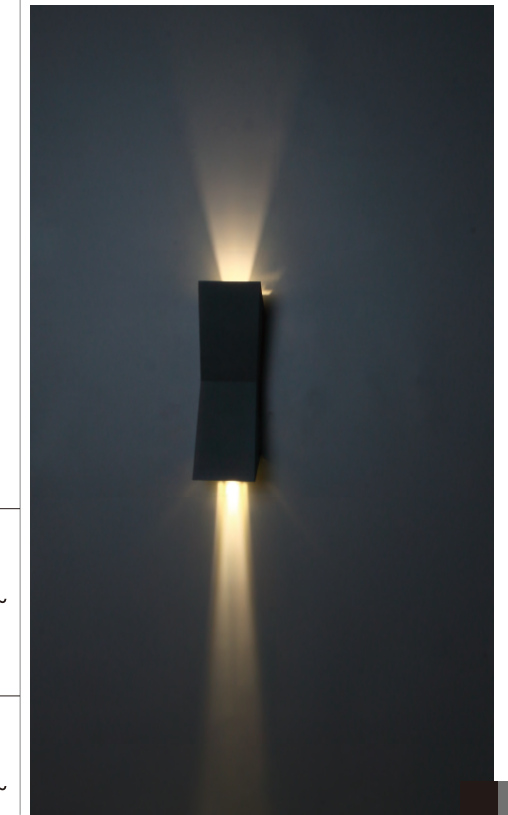


Light Source	COB
LED Driver	Isolation LED driver
CRI	>80
Power Factor	>0.60
Light Beam Angle	35 degrees
IK	IK06
Class	Class 1
IP Rate	IP65

Ordering info.

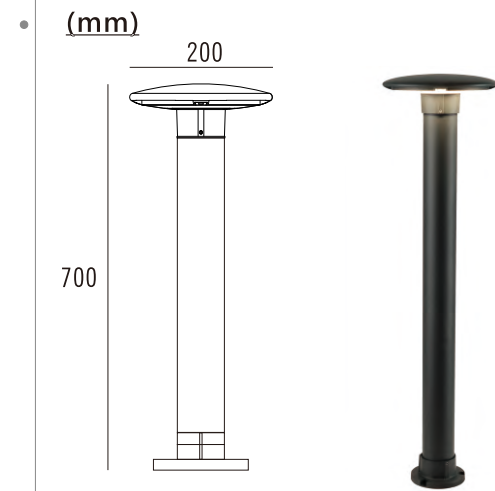
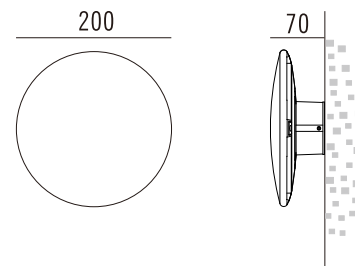
Model	Power	Luminous	Diffuser	Input
WS-19035	4W	260lm	1)Clear 2)Frost	1)110V~ 2)230V~ 3)80V-265V~

Model	Power	Luminous	Diffuser	Input
WS-19036	2x4W	520lm	1)Clear 2)Frost	1)110V~ 2)230V~ 3)80V-265V~





- **Luminaire material**
Die-casting aluminium with powder coat or electro-plated finish
- **Diffuser**
Polycarbonate
- **Connection**
Terminal block
- **Installation**
Wall surface or Garden-Screws
- **(mm)**



Light Source	SMD
Power Consumption	18W
LED Driver	Linear LED driver
Initial Luminous Flux	1080lm-4000K
CRI	>80
Power Factor	>0.95
IK	IK07
Class	Class 1
IP Rate	IP65

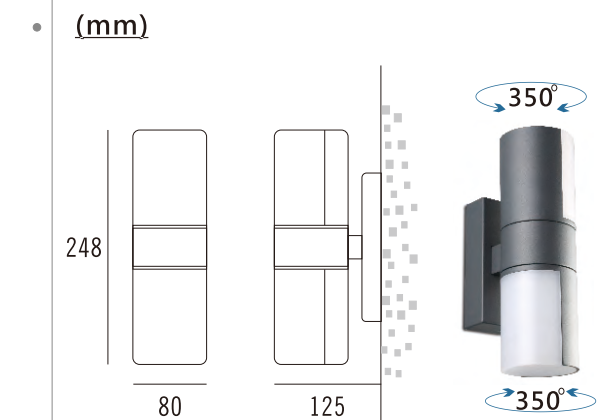
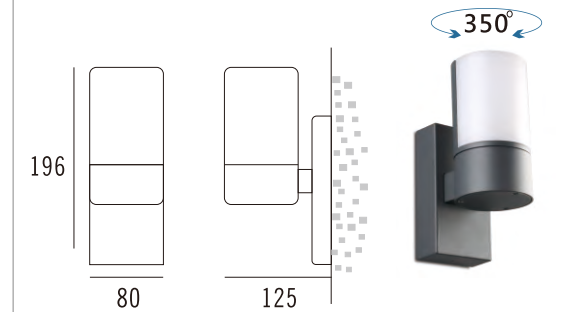
Ordering info.

Model	Power	Luminous	Type	Input
WS-19040	18W	1080lm	Wall Surface	1)110V~ 2)230V~ 3)80V-265V~

Model	Power	Luminous	Type	Input
GD-19700	18W	1080lm	Garden	1)110V~ 2)230V~ 3)80V-265V~



- **Luminaire material**
Die-casting aluminium with powder coat or electro-plated finish
- **Diffuser**
Polycarbonate
- **Connection**
Terminal block
- **Installation**
Wall surface-Screws
- **(mm)**

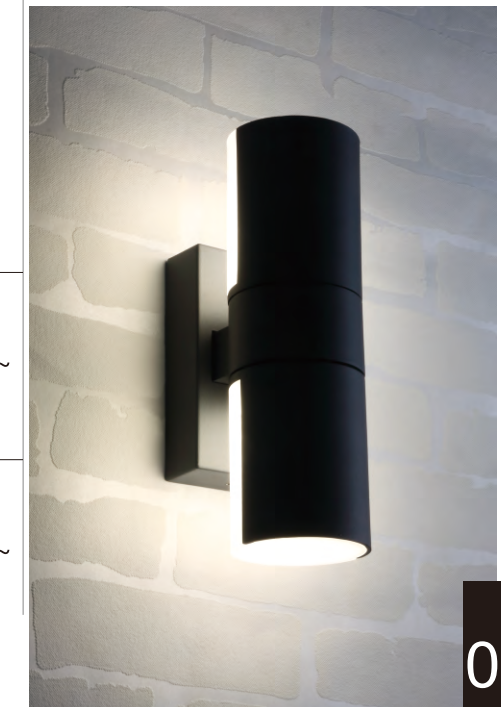


Light Source	SMD
LED Driver	Isolation LED driver
CRI	>80
Power Factor	>0.60
IK	IK07
Class	Class 1
IP Rate	IP54

Ordering info.

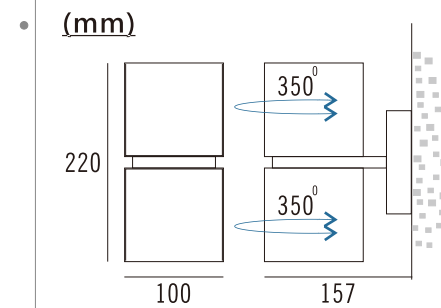
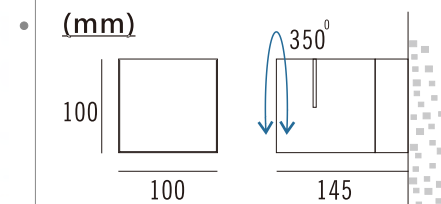
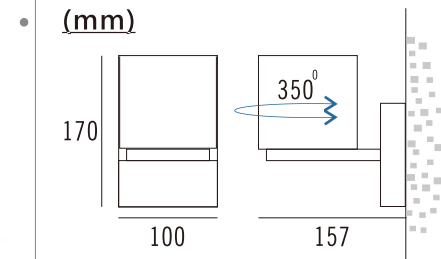
Model	Power	Luminous	Type	Input
WS-19051	8W	560lm	1)Sensor 2)Standard	1)110V~ 2)230V~ 3)80V-265V~

Model	Power	Luminous	Type	Input
WS-19052	2x8W	1100lm	1)Sensor 2)Standard	1)110V~ 2)230V~ 3)80V-265V~





- **Luminaire material**
Die-casting aluminium with powder coat or electro-plated finish
- **Diffuser**
Polycarbonate
- **Connection**
Terminal block
- **Installation**
Wall surface-Screws



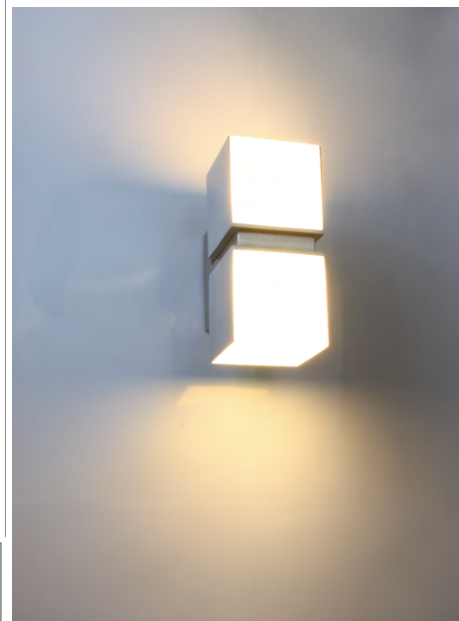
Light Source	SMD
LED Driver	Isolation LED driver
CRI	>80
Power Factor	>0.90
IK	IK07
Class	Class 1
IP Rate	IP65

Ordering info.

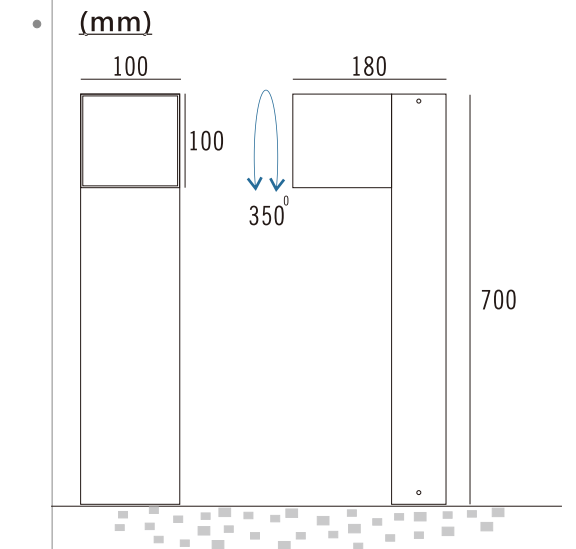
Model	Power	Luminous	Diffuser	Input
WS-19055	8W	600lm	Opal	1)110V~ 2)230V~ 3)80V-265V~

Model	Power	Luminous	Diffuser	Input
WS-19056	8W	600lm	Opal	1)110V~ 2)230V~ 3)80V-265V~

Model	Power	Luminous	Diffuser	Input
WS-19057	2x8W	1200lm	Opal	1)110V~ 2)230V~ 3)80V-265V~



- **Luminaire material**
Die-casting aluminium with powder coat or electro-plated finish
- **Diffuser**
Polycarbonate
- **Connection**
Terminal block
- **Installation**
Garden-Screws

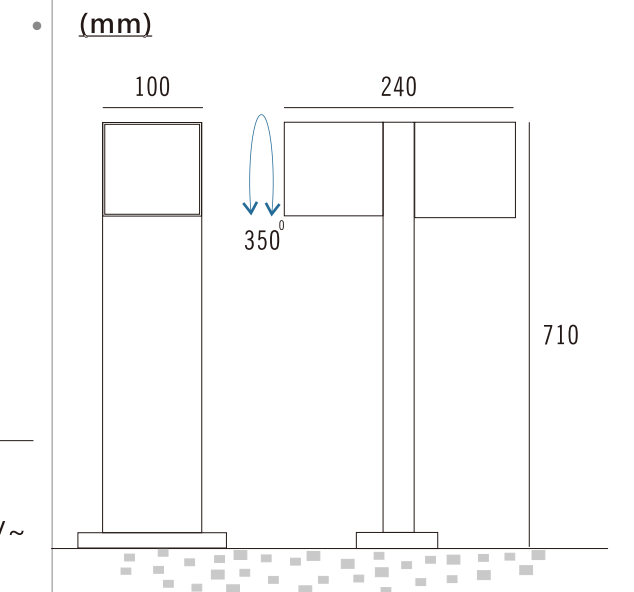


Light Source	SMD
LED Driver	Isolation LED driver
CRI	>80
Power Factor	>0.90
IK	IK07
Class	Class 1
IP Rate	IP65

Ordering info.

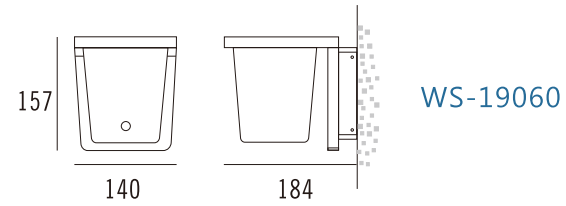
Model	Power	Luminous	Diffuser	Input
GD-19701	8W	600lm	Opal	1)110V~ 2)230V~ 3)80V-265V~

Model	Power	Luminous	Diffuser	Input
GD-19702	2x8W	1200lm	Opal	1)110V~ 2)230V~ 3)80V-265V~

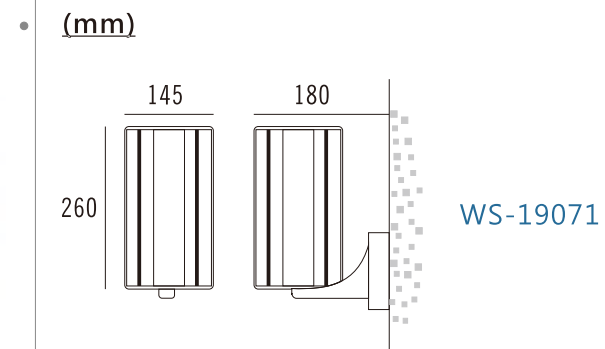




- **Luminaire material**
Die-casting aluminium with powder coat
- **Diffuser**
Polycarbonate
- **Connection**
Terminal block
- **Installation**
Wall surface-Screws
- **(mm)**



WS-19060



WS-19071

Light Source	SMD
LED Driver	Isolation LED driver
CRI	>80
Power Factor	>0.92
IK	IK07
Class	Class 1
IP Rate	IP65

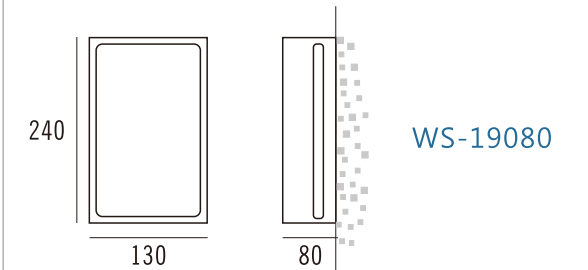
Ordering info.

Model	Power	Luminous	Type	Input
WS-19060	13W	920lm	1)Sensor	1)110V~
			2)Standard	2)230V~ 3)80V-265V~

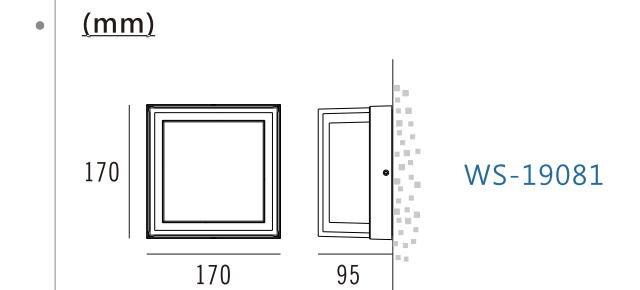
Model	Power	Luminous	Type	Input
WS-19071	12W	960lm	1)Sensor	1)110V~
			2)Standard	2)230V~ 3)80V-265V~



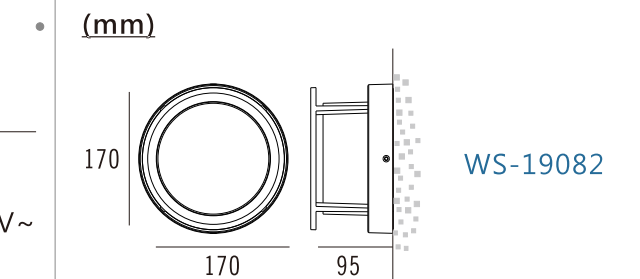
- **Luminaire material**
Die-casting aluminium with powder coat
- **Diffuser**
Polycarbonate
- **Connection**
Terminal block
- **Installation**
Wall surface-Screws
- **(mm)**



WS-19080



WS-19081



WS-19082

Light Source	SMD
LED Driver	Isolation LED driver
CRI	>80
Power Factor	>0.95
IK	IK07
Class	Class 1
IP Rate	IP54

Ordering info.

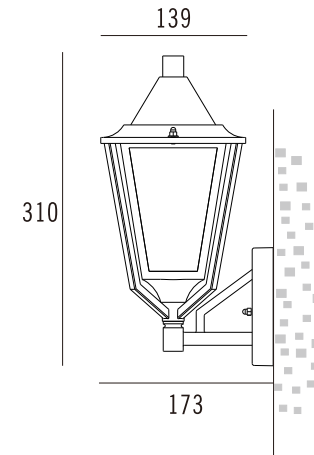
Model	Power	Luminous	Diffuser	Input
WS-19080	18W	1200lm	Opal PC	1)110V~
				2)230V~
				3)80V-265V~

Model	Power	Luminous	Diffuser	Input
WS-19081	10W	730lm	Opal PC	1)110V~
				2)230V~
				3)80V-265V~

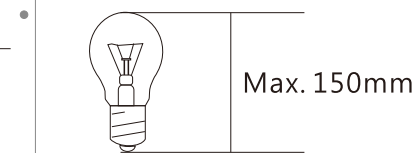
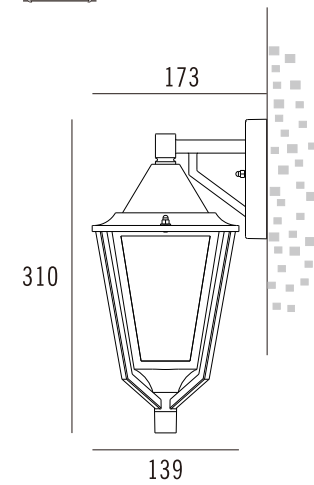
Model	Power	Luminous	Diffuser	Input
WS-19082	10W	730lm	Opal PC	1)110V~
				2)230V~
				3)80V-265V~



- **Luminaire material**
Die-casting aluminium with powder coat
- **Diffuser**
Polycarbonate
- **Connection**
Terminal block
- **Installation**
Screws
- **(mm)**



- **(mm)**



Light Source E27 lamp holder
 IK IK05
 Class Class 1
 IP Rate IP54

Ordering info.

Model	Lamp Holder	Type	Diffuser
WS-19101	E27	UP	1)Clear 2)Opal

Model	Lamp Holder	Type	Diffuser
WS-19102	E27	Down	1)Clear 2)Opal

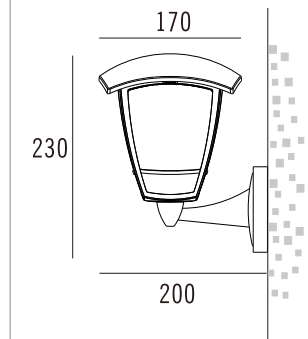
Model	Lamp Holder	Type	Diffuser
PD-19103	E27	Pendant	1)Clear 2)Opal

Model	Lamp Holder	Type	Diffuser
GD-19710	E27	Garden	1)Clear 2)Opal

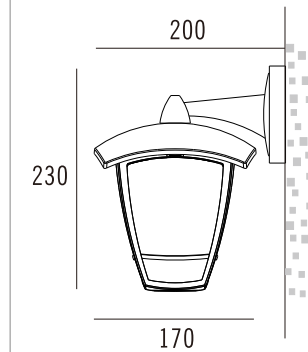


- **Luminaire material**
Die-casting aluminium with powder coat
- **Diffuser**
Polycarbonate
- **Connection**
Terminal block
- **Installation**
Screws
- **(mm)**

- **(mm)**



- **(mm)**



Light Source E27 lamp holder
 IK IK05
 Class Class 1
 IP Rate IP54

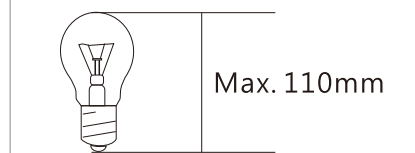
Ordering info.

Model	Lamp Holder	Type	Diffuser
WS-19111	E27	UP	1)Clear 2)Opal

Model	Lamp Holder	Type	Diffuser
WS-19112	E27	Down	1)Clear 2)Opal

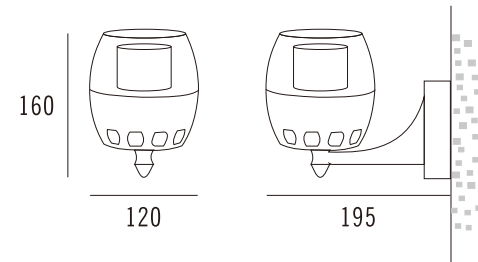
Model	Lamp Holder	Type	Diffuser
PD-19113	E27	Pendant	1)Clear 2)Opal

Model	Lamp Holder	Type	Diffuser
GD-19711	E27	Garden	1)Clear 2)Opal

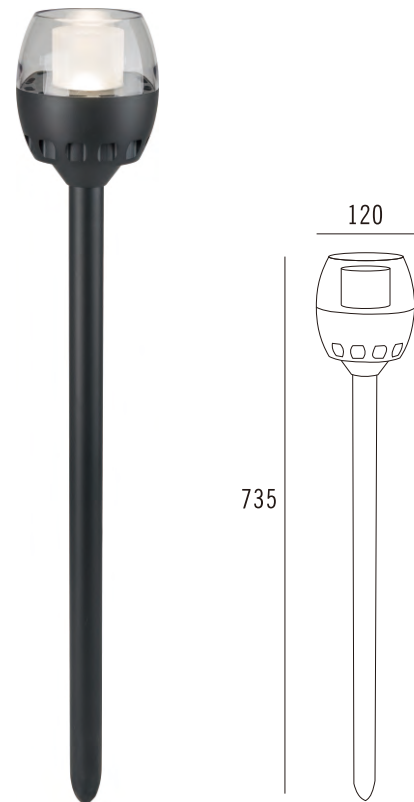




- **Luminaire material**
Die-casting aluminium with powder coat
- **Diffuser**
Polycarbonate
- **Connection**
Terminal block
- **Installation**
Wall surface or Garden-Screws
- **(mm)**



- **(mm)**



Light Source	SMD
Power Consumption	12W
LED Driver	Isolation LED driver
Initial Luminous Flux	860lm-4000K
CRI	>80
Power Factor	>0.90
IK	IK06
Class	Class 1
IP Rate	IP65

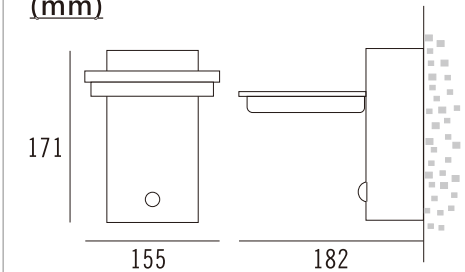
Ordering info.

Model	Power	Luminous	Type	Input
WS-19120	12W	860lm	Wall surface	1)110V~ 2)230V~ 3)80V-265V~

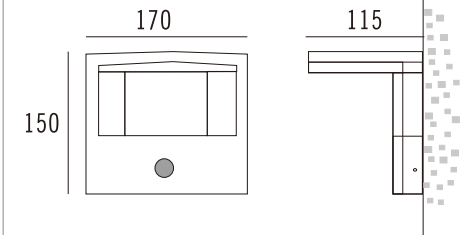
Model	Power	Luminous	Type	Input
GD-19720	12W	860lm	Garden	1)110V~ 2)230V~ 3)80V-265V~



- **Luminaire material**
Die-casting aluminium with powder coat
- **Diffuser**
Polycarbonate in Opal
- **Connection**
Terminal block
- **Installation**
Wall surface-Screws
- **(mm)**



- **(mm)**

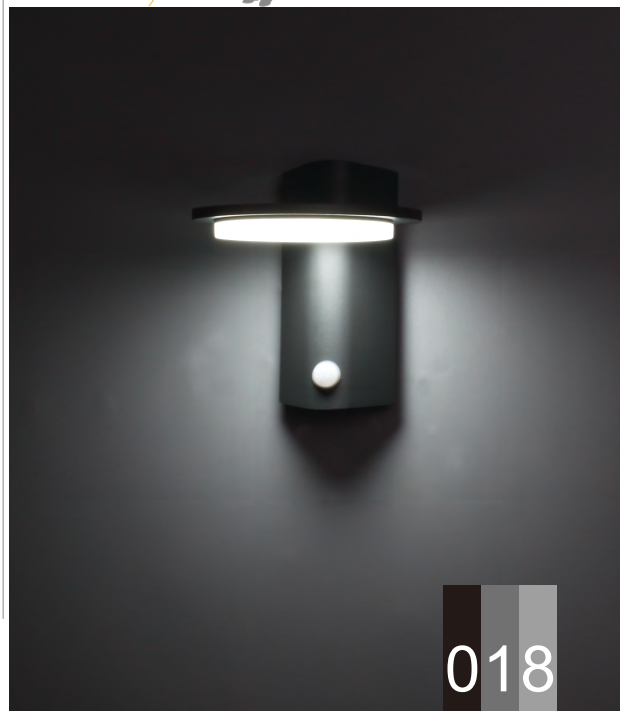


Light Source	SMD
LED Driver	Isolation LED driver
CRI	>80
Power Factor	>0.90
IK	IK07
Class	Class 1
IP Rate	IP65

Ordering info.

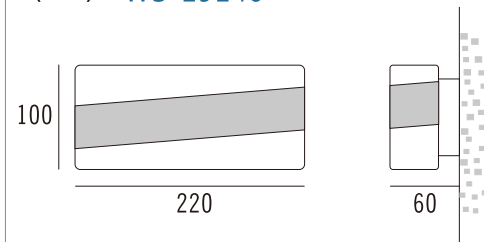
Model	Power	Luminous	Type	Input
WS-19130	13W	910lm	1)Sensor 2)Standard	1)110V~ 2)230V~ 3)80V-265V~

Model	Power	Luminous	Type	Input
WS-1003	12W	700lm	1)Sensor 2)Standard	1)110V~ 2)230V~ 3)80V-265V~

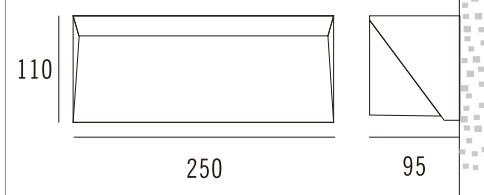




- **Luminaire material**
Die-casting aluminium with powder coat or electro-plated finish
- **Diffuser**
High transmitting PC-Opal
- **Connection**
Terminal block
- **Installation**
Wall surface-Screws
- (mm) [WS-19140](#)



- (mm) [WS-19145](#)

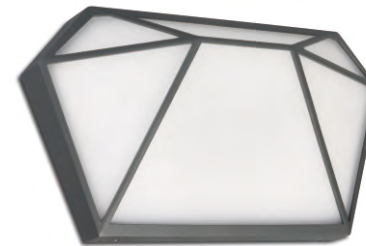


Light Source	SMD
LED Driver	Isolation LED driver
CRI	>80
Power Factor	>0.95
IK	IK07
Class	Class 1
IP Rate	IP65

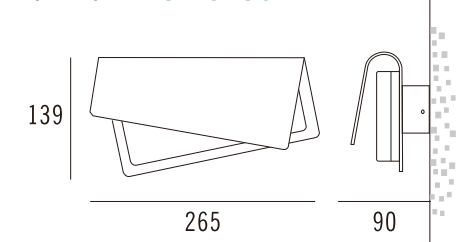
Ordering info.

Model	Power	Luminous	Diffuser	Input
WS-19140	20W	1450lm	Opal PC	1)110V~ 2)230V~ 3)80V-265V~

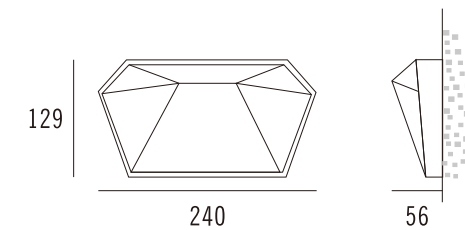
Model	Power	Luminous	Diffuser	Input
WS-19145	12W	750lm	Opal PC	1)110V~ 2)230V~ 3)80V-265V~



- **Luminaire material**
Die-casting aluminium with powder coat
- **Diffuser**
High transmitting PC-Opal
- **Connection**
Terminal block
- **Installation**
Wall surface-Screws
- (mm) [WS-19150](#)



- (mm) [WS-19160](#)



Light Source	SMD
LED Driver	Liner LED driver
CRI	>80
Power Factor	>0.90
IK	IK07
Class	Class 1
IP Rate	IP65

Ordering info.

Model	Power	Luminous	Diffuser	Input
WS-19150	13W	780lm	Opal PC	1)110V~ 2)230V~ 3)80V-265V~

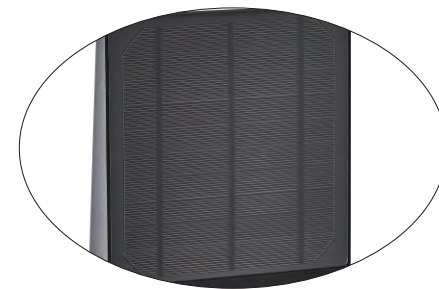
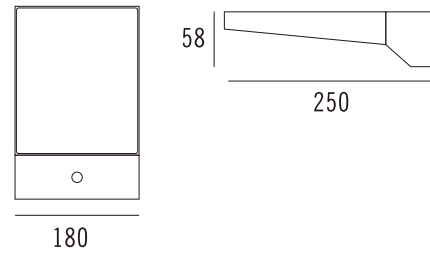
Model	Power	Luminous	Type	Input
WS-19160	10W	750lm	1)Open 2)Grille	1)110V~ 2)230V~ 3)80V-265V~





- **Luminaire material**
Die-casting aluminium with powder coat or electro-plated finish
- **Diffuser**
High transmitting PC-Opal
- **Connection**
Terminal block
- **Installation**
Wall surface-Screws
- **Dimensions:**
Height 58mm
Width 180mm
Depth 250mm

• (mm)



Solar

Light Source	SMD
LED Driver	Isolation LED driver
CRI	>80
Power Factor	0.90
Light Beam Angle	160 degrees
IK	IK07
Class	Class 1
IP Rate	IP65

Ordering info.

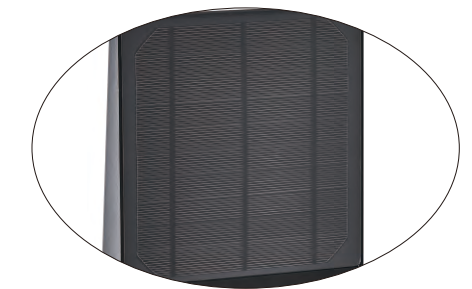
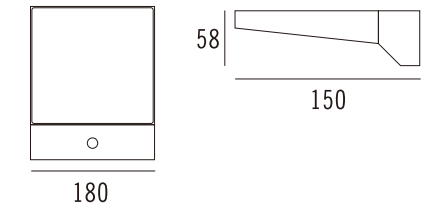
Model	Power	Luminous	Type	Input
SS-19170	5V 5W	350lm	Solar & Sensor	1)110V~ 2)230V~ 3)80V-265V~

Model	Power	Luminous	Type	Input
WS-19170	12W	860lm	Standard	1)110V~ 2)230V~ 3)80V-265V~



- **Luminaire material**
Die-casting aluminium with powder coat or electro-plated finish
- **Diffuser**
High transmitting PC-Opal
- **Connection**
Terminal block
- **Installation**
Wall surface-Screws
- **Dimensions:**
Height 58mm
Width 180mm
Depth 150mm

• (mm)



Solar

Light Source	SMD
LED Driver	Isolation LED driver
CRI	>80
Power Factor	0.90
Light Beam Angle	160 degrees
IK	IK07
Class	Class 1
IP Rate	IP65

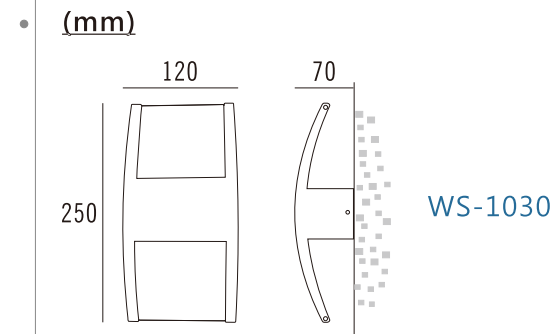
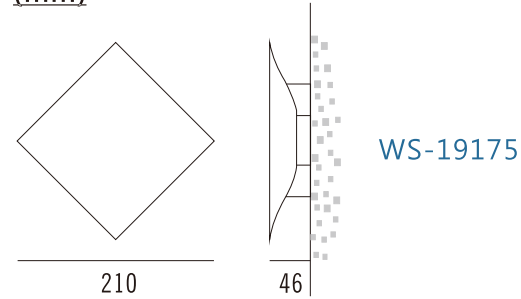
Ordering info.

Model	Power	Luminous	Type	Input
SS-19171	5V 3W	200lm	Solar & Sensor	1)110V~ 2)230V~ 3)80V-265V~

Model	Power	Luminous	Type	Input
WS-19171	9W	630lm	Standard	1)110V~ 2)230V~ 3)80V-265V~



- **Luminaire material**
Die-casting aluminium with powder coat
- **Diffuser**
Toughened glass
- **Connection**
Terminal block
- **Installation**
Wall surface-Screws
- **(mm)**

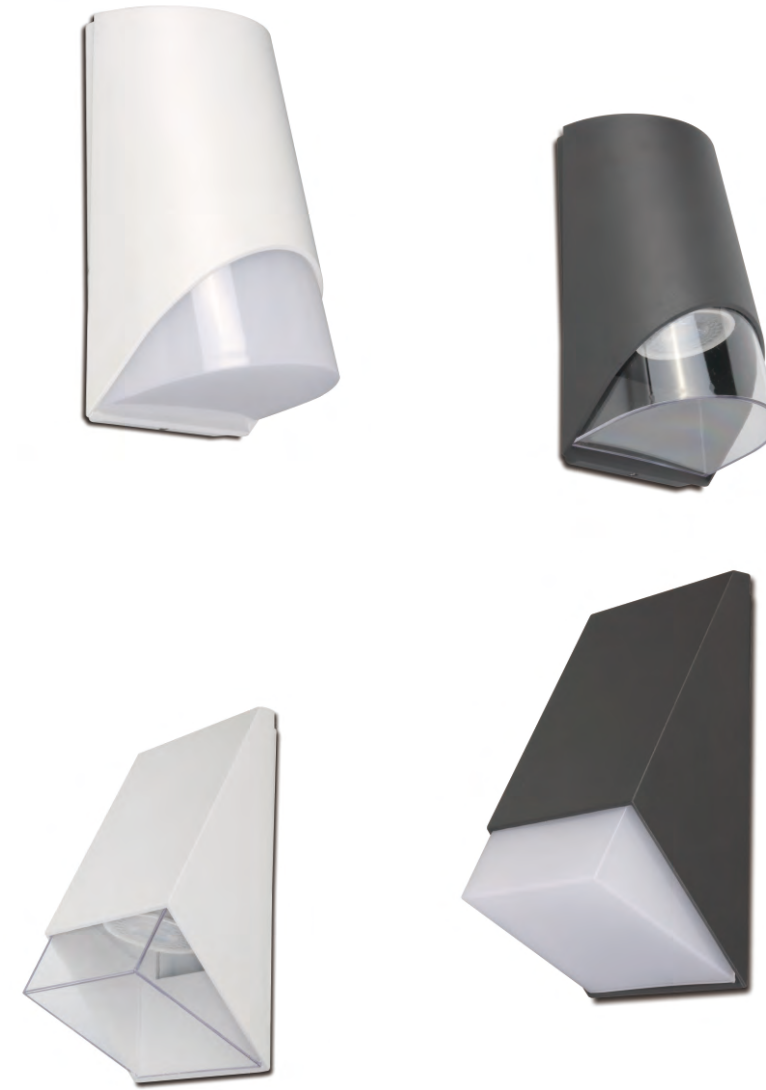
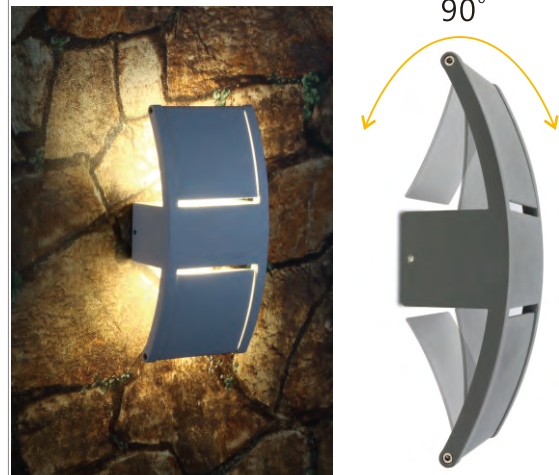


Light Source COB
 LED Driver Isolation LED driver
 CRI >80
 Power Factor >0.90
 IK IK06
 Class Class 1
 IP Rate IP65

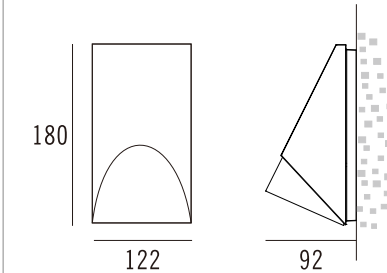
Ordering info.

Model	Power	Luminous	Diffuser	Input
WS-19175	2x6W	930lm	1)Clear 2)Frost	1)110V~ 2)230V~ 3)80V-265V~

Model	Power	Luminous	Diffuser	Input
WS-1030	2x6W	1020lm	1)Clear 2)Frost	1)110V~ 2)230V~ 3)80V-265V~



- **Luminaire material**
Die-casting aluminium with powder coat or electro-plated finish
- **Diffuser**
Polycarbonate
- **Connection**
Terminal block
- **Installation**
Wall surface-Screws
- **(mm)**

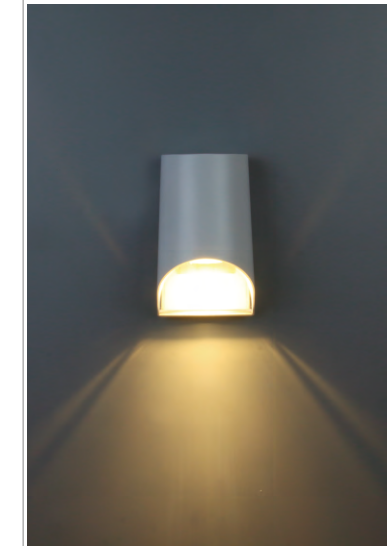


Light Source GU10 bulb
 IK IK07
 Class Class 1
 IP Rate IP44

Ordering info.

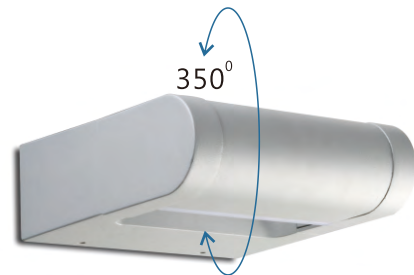
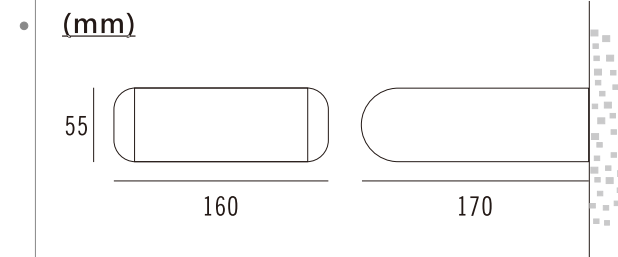
Model	Lamp holder	Shape	Diffuser
WS-1023	GU10	Round	1)Opal 2)Clear

Model	Lamp holder	Shape	Diffuser
WS-1024	GU10	Square	1)Opal 2)Clear





- **Luminaire material**
Die-casting aluminium with powder coat or electro-plated finish
- **Diffuser**
Acrylic
- **Connection**
Terminal block
- **Installation**
Wall surface & Garden-Screws
- **Dimensions:**
Height 55mm
Width 160mm
Depth 170mm



Light Source	SMD
LED Driver	Isolation LED driver
CRI	>80
Power Factor	>0.60
IK	IK07
Class	Class 1
IP Rate	IP65

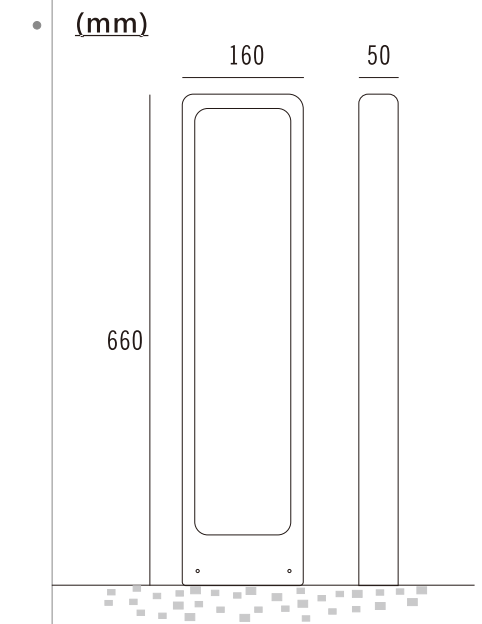
Ordering info.

Model	Power	Luminous	Type	Input
WS-19190	6W	350lm	Wall Surface	1)110V~ 2)230V~ 3)80V-265V~

Model	Power	Luminous	Type	Input
GD-19190	6W	350lm	Garden	1)110V~ 2)230V~ 3)80V-265V~



- **Luminaire material**
Die-casting aluminium with powder coat or electro-plated finish
- **Diffuser**
Toughened glass
- **Connection**
Terminal block
- **Installation**
Garden-Screws

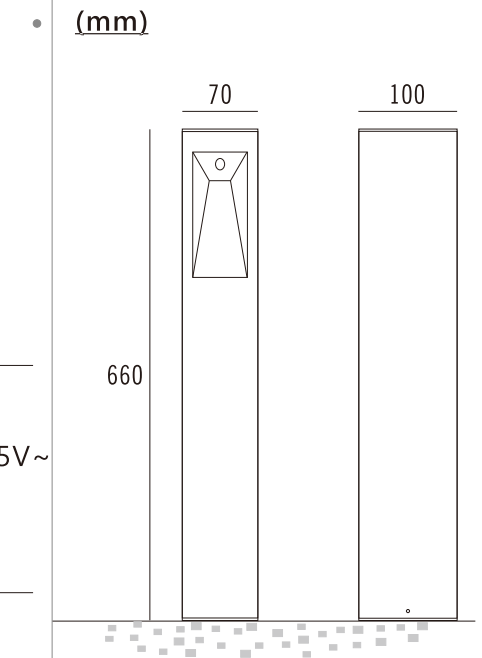


Light Source	COB
LED Driver	Isolation LED driver
CRI	>80
Power Factor	>0.60
IK	IK06
Class	Class 1
IP Rate	IP65

Ordering info.

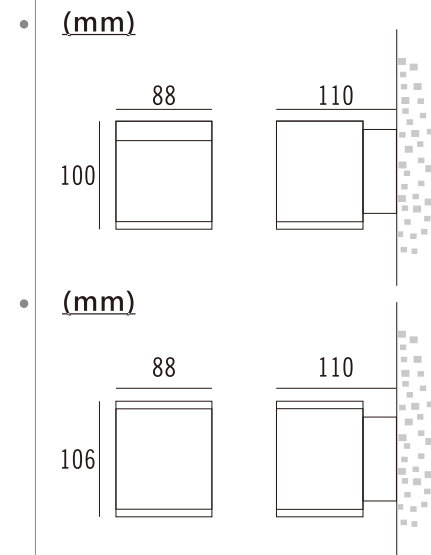
Model	Power	Luminous	Diffuser	Input
GD-19191	6W	230lm	1)Clear 2)Frost	1)110V~ 2)230V~ 3)80V-265V~

Model	Power	Luminous	Diffuser	Input
GD-19192	6W	180lm	1)Clear 2)Frost	1)110V~ 2)230V~ 3)80V-265V~





- **Luminaire material**
Die-casting aluminium with powder coat or electro-plated finish
- **Diffuser**
Acrylic
- **Connection**
Terminal block
- **Installation**
Wall surface-Screws



Light Source	SMD
LED Driver	Isolation LED driver
CRI	>80
Power Factor	>0.60
IK	IK07
Class	Class 1
IP Rate	IP54

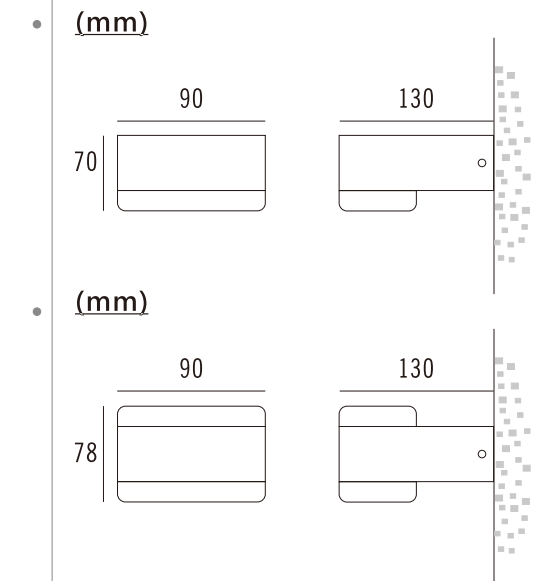
Ordering info.

Model	Power	Luminous	Diffuser	Input
WS-19196	10W	680lm	Opal	1)110V~ 2)230V~ 3)80V-265V~

Model	Power	Luminous	Diffuser	Input
WS-19197	2x10W	1360lm	Opal	1)110V~ 2)230V~ 3)80V-265V~



- **Luminaire material**
Die-casting aluminium with powder coat or electro-plated finish
- **Diffuser**
Acrylic
- **Connection**
Terminal block
- **Installation**
Wall surface-Screws



Light Source	SMD
LED Driver	Isolation LED driver
CRI	>80
Power Factor	>0.60
IK	IK07
Class	Class 1
IP Rate	IP54

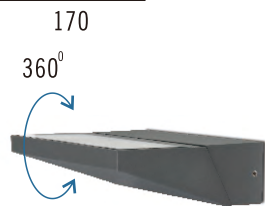
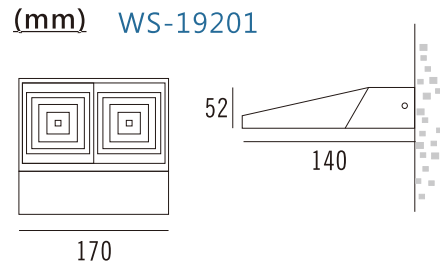
Ordering info.

Model	Power	Luminous	Diffuser	Input
WS-1036-D	6W	406lm	Opal	1)110V~ 2)230V~ 3)80V-265V~

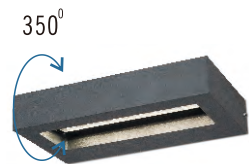
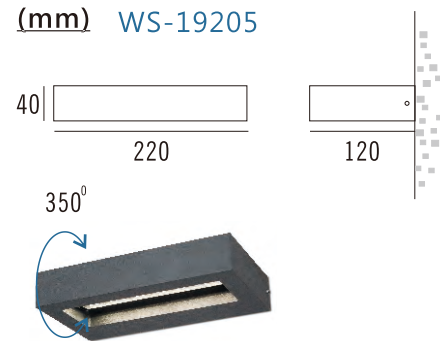
Model	Power	Luminous	Diffuser	Input
WS-1036-UD	2x6W	812lm	Opal	1)110V~ 2)230V~ 3)80V-265V~



- **Luminaire material**
Die-casting aluminium with powder coat or electro-plated finish
- **Diffuser**
Toughened glass
- **Connection**
Terminal block
- **Installation**
Wall surface-Screws



- **(mm) WS-19205**

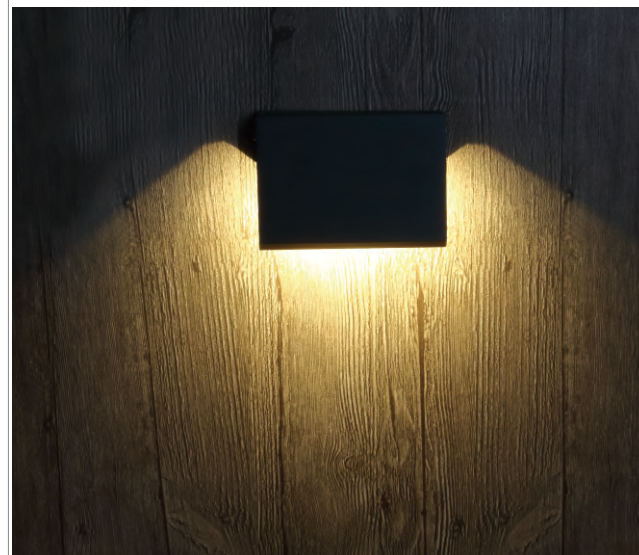


Light Source	COB, SMD
LED Driver	Isolation LED driver
CRI	>80
Power Factor	>0.95
IK	IK05
Class	Class 1
IP Rate	IP65

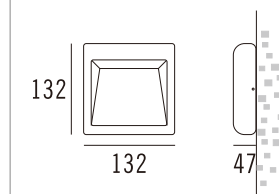
Ordering info.

Model	Power	Luminous	Diffuser	Input
WS-19201	11W/COB	940lm	1)Clear 2)Frost	1)110V~ 2)230V~ 3)80V-265V~

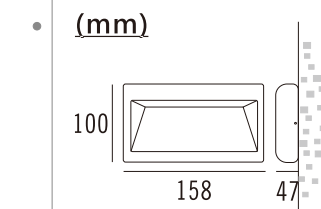
Model	Power	Luminous	Diffuser	Input
WS-19205	12W/SMD	900lm	1)Clear 2)Frost	1)110V~ 2)230V~ 3)80V-265V~



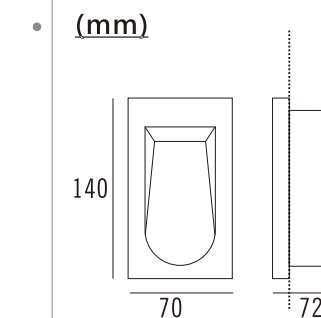
- **Luminaire material**
Die-casting aluminium with powder coat
- **Diffuser**
Toughened glass
- **Connection**
Terminal block
- **Installation**
Wall-Screws, Recessed box



WS-19210



WS-19211



WR-19212



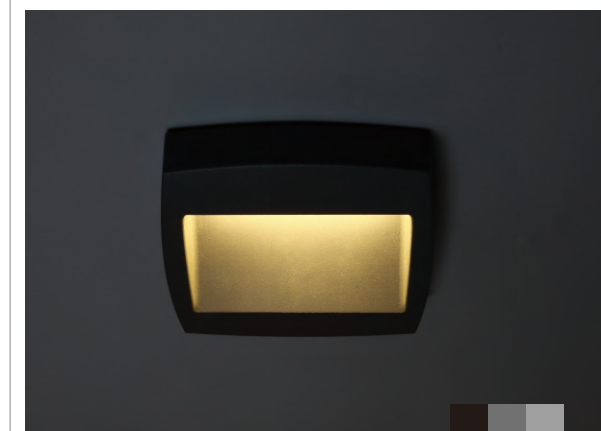
Light Source	SMD
LED Driver	Isolation LED driver
CRI	>80
Power Factor	>0.60
IK	IK06
Class	Class 1
IP Rate	IP65

Ordering info.

Model	Power	Luminous	Diffuser	Input
WS-19210	10W	420lm	1)Frost 2)Clear	1)110V~ 2)230V~ 3)80V-265V~

Model	Power	Luminous	Diffuser	Input
WS-19211	10W	420lm	1)Frost 2)Clear	1)110V~ 2)230V~ 3)80V-265V~

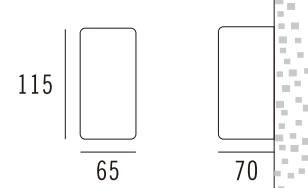
Model	Power	Luminous	Diffuser	Input
WR-19212	4W	120lm	1)Frost 2)Clear	1)110V~ 2)230V~ 3)80V-265V~



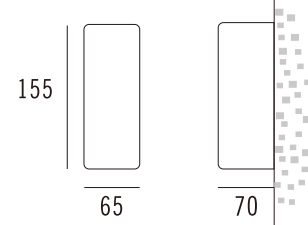


- **Luminaire material**
Die-casting aluminium with powder coat or electro-plated finish
- **Diffuser**
Toughened glass
- **Connection**
Terminal block
- **Installation**
Wall surface-Screws

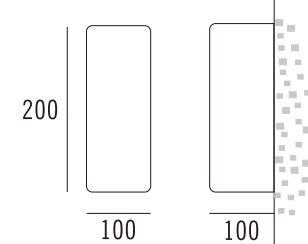
• (mm) | WS-19221



• (mm) | WS-19222



• (mm) | WS-19223



Light Source COB
 LED Driver Isolation LED driver
 CRI >80
 Power Factor >0.85
 Light Beam Angle 120 degrees
 IK IK06
 Class Class 1
 IP Rate IP65

Ordering info.

Model	Power	Luminous	Diffuser	Input
WS-19221	3W	270lm	1)Clear 2)Frost	1)110V~ 2)230V~ 3)80V-265V~

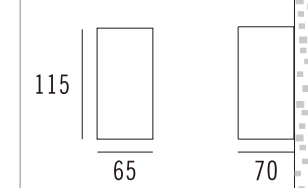
Model	Power	Luminous	Diffuser	Input
WS-19222	2x3W	540lm	1)Clear 2)Frost	1)110V~ 2)230V~ 3)80V-265V~

Model	Power	Luminous	Diffuser	Input
WS-19223	2x6W	1080lm	1)Clear 2)Frost	1)110V~ 2)230V~ 3)80V-265V~

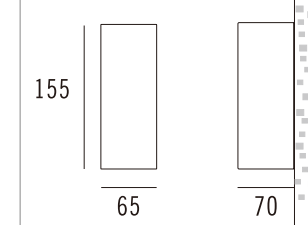


- **Luminaire material**
Die-casting aluminium with powder coat or electro-plated finish
- **Diffuser**
Toughened glass
- **Connection**
Terminal block
- **Installation**
Wall surface-Screws

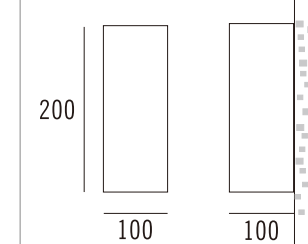
• (mm) | WS-19226



• (mm) | WS-19227



• (mm) | WS-19228



Light Source COB
 LED Driver Isolation LED driver
 CRI >80
 Power Factor >0.85
 Light Beam Angle 120 degrees
 IK IK06
 Class Class 1
 IP Rate IP65

Ordering info.

Model	Power	Luminous	Diffuser	Input
WS-19226	3W	270lm	1)Clear 2)Frost	1)110V~ 2)230V~ 3)80V-265V~

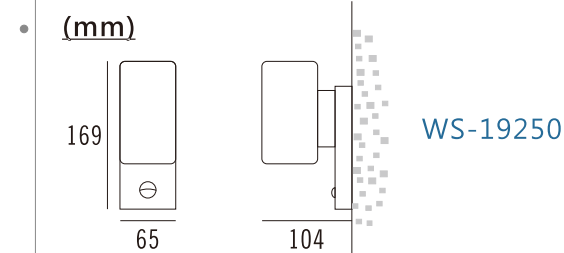
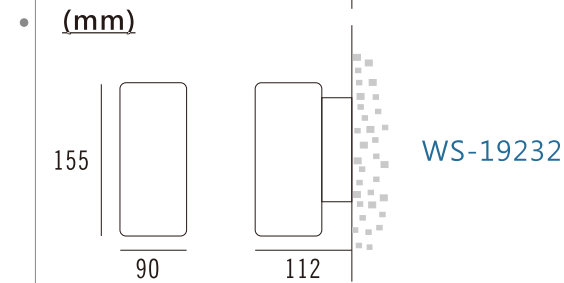
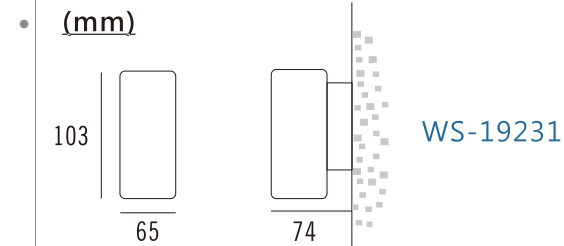
Model	Power	Luminous	Diffuser	Input
WS-19227	2x3W	540lm	1)Clear 2)Frost	1)110V~ 2)230V~ 3)80V-265V~

Model	Power	Luminous	Diffuser	Input
WS-19228	2x6W	1080lm	1)Clear 2)Frost	1)110V~ 2)230V~ 3)80V-265V~





- **Luminaire material**
Die-casting aluminium with powder coat or electro-plated finish
- **Diffuser**
Toughened glass
- **Reflector**
Aluminium
- **Connection**
Terminal block
- **Installation**
Wall surface-Screws



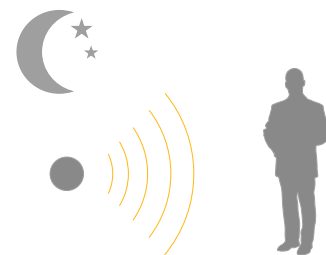
Light Source COB
 LED Driver Isolation LED driver
 CRI >80
 Power Factor >0.60
 Light Beam Angle Available in 15,26,50 degrees
 IK IK06
 Class Class 1
 IP Rate IP65

Ordering info.

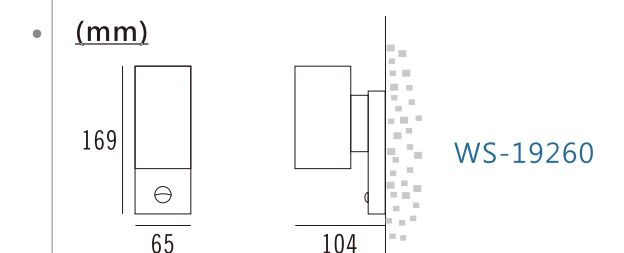
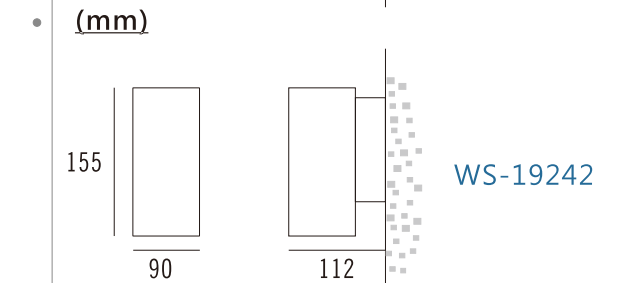
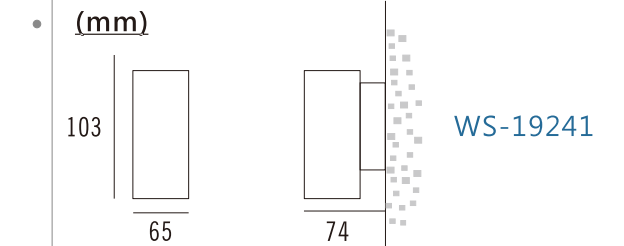
Model	Power	Luminous	Reflector	Input
WS-19231	3W	270lm	1)15° 2)26° 3)50°	1)110V~ 2)230V~ 3)80V-265V~

Model	Power	Luminous	Reflector	Input
WS-19232	10W	900lm	1)15° 2)26° 3)50°	1)110V~ 2)230V~ 3)80V-265V~

Model	Power	Luminous	Reflector	Input
WS-19250	3W	270lm	1)15° 2)26° 3)50°	1)110V~ 2)230V~ 3)80V-265V~



- **Luminaire material**
Die-casting aluminium with powder coat or electro-plated finish
- **Diffuser**
Toughened glass
- **Reflector**
Aluminium
- **Connection**
Terminal block
- **Installation**
Wall surface-Screws



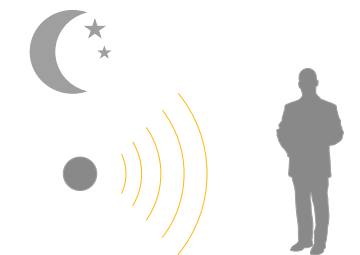
Light Source COB
 LED Driver Isolation LED driver
 CRI >80
 Power Factor >0.60
 Light Beam Angle Available in 15,26,50 degrees
 IK IK06
 Class Class 1
 IP Rate IP65

Ordering info.

Model	Power	Luminous	Reflector	Input
WS-19241	3W	270lm	1)15° 2)26° 3)50°	1)110V~ 2)230V~ 3)80V-265V~

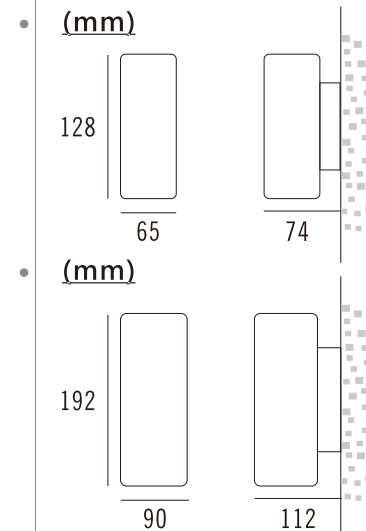
Model	Power	Luminous	Reflector	Input
WS-19242	10W	900lm	1)15° 2)26° 3)50°	1)110V~ 2)230V~ 3)80V-265V~

Model	Power	Luminous	Reflector	Input
WS-19260	3W	270lm	1)15° 2)26° 3)50°	1)110V~ 2)230V~ 3)80V-265V~





- **Luminaire material**
Die-casting aluminium with powder coat or electro-plated finish
- **Diffuser**
Toughened glass
- **Reflector**
Aluminium
- **Connection**
Terminal block
- **Installation**
Wall surface-Screws

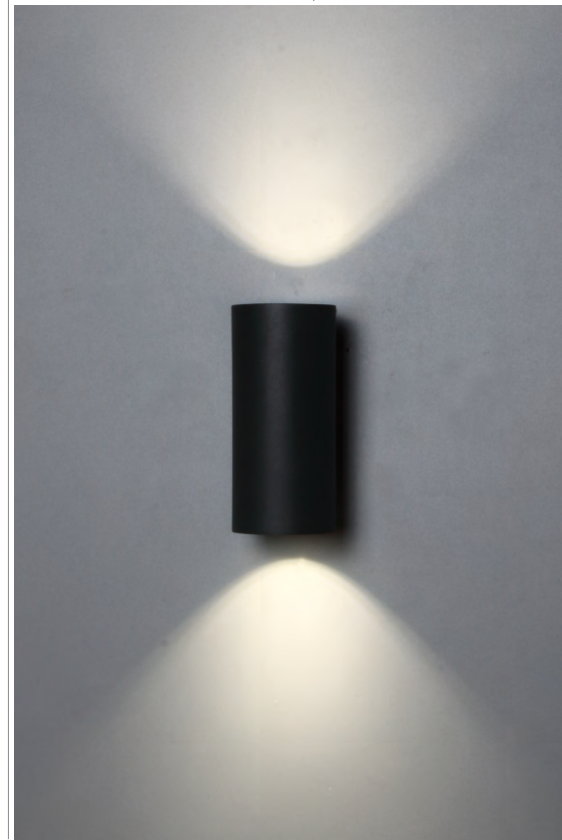


Light Source	COB
LED Driver	Isolation LED driver
CRI	>80
Power Factor	>0.90
Light Beam Angle	Available in 15,26,50 degrees
IK	IK06
Class	Class 1
IP Rate	IP65

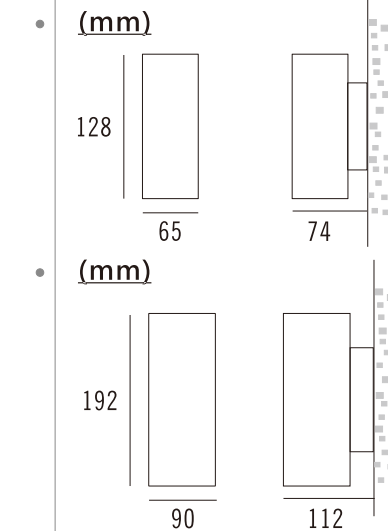
Ordering info.

Model	Power	Luminous	Reflector	Input
WS-19235	2x3W	540lm	1)15°	1)110V~
			2)26°	2)230V~
			3)50°	3)80V-265V~

Model	Power	Luminous	Reflector	Input
WS-19236	2x6W	1080lm	1)15°	1)110V~
			2)26°	2)230V~
			3)50°	3)80V-265V~



- **Luminaire material**
Die-casting aluminium with powder coat or electro-plated finish
- **Diffuser**
Toughened glass
- **Reflector**
Aluminium
- **Connection**
Terminal block
- **Installation**
Wall surface-Screws

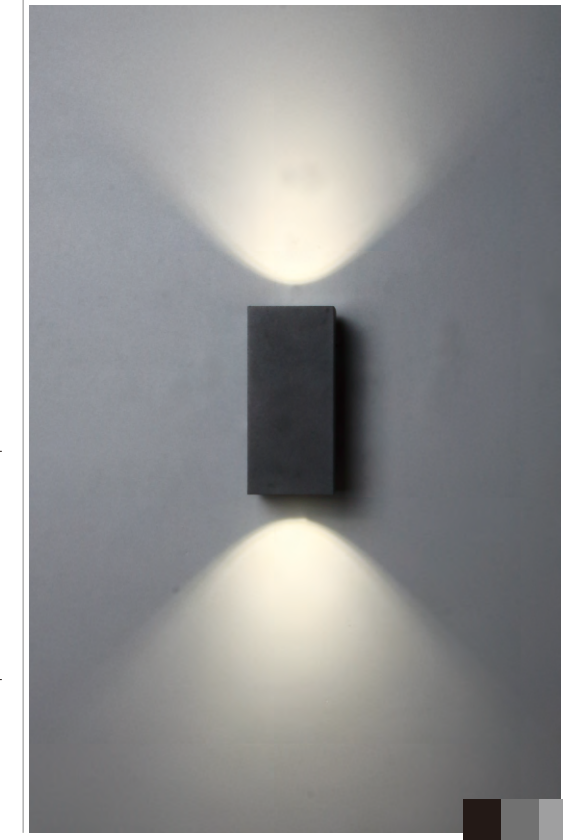


Light Source	COB
LED Driver	Isolation LED driver
CRI	>80
Power Factor	>0.90
Light Beam Angle	Available in 15,26,50 degrees
IK	IK06
Class	Class 1
IP Rate	IP65

Ordering info.

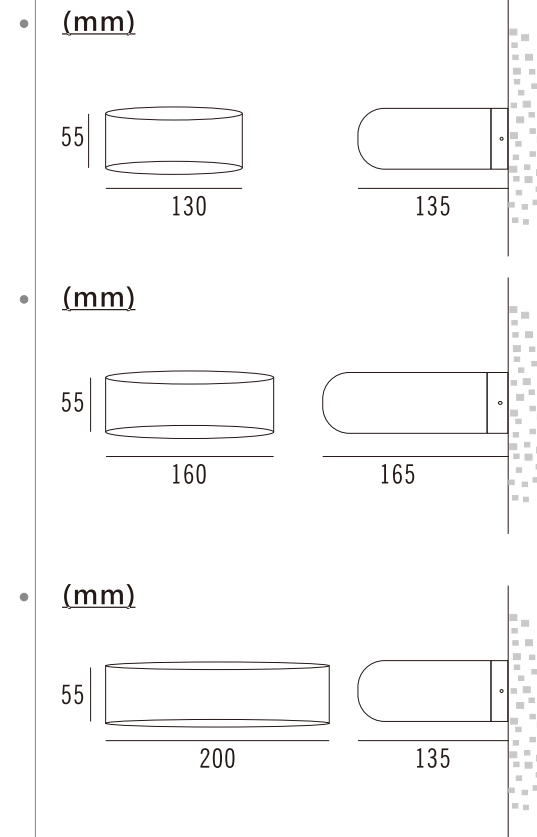
Model	Power	Luminous	Reflector	Input
WS-19245	2x3W	540lm	1)15°	1)110V~
			2)26°	2)230V~
			3)50°	3)80V-265V~

Model	Power	Luminous	Reflector	Input
WS-19246	2x6W	1080lm	1)15°	1)110V~
			2)26°	2)230V~
			3)50°	3)80V-265V~





- **Luminaire material**
Die-casting aluminium with powder coat or electro-plated finish
- **Diffuser**
Toughened glass
- **Connection**
Terminal block
- **Installation**
Wall surface-Screws



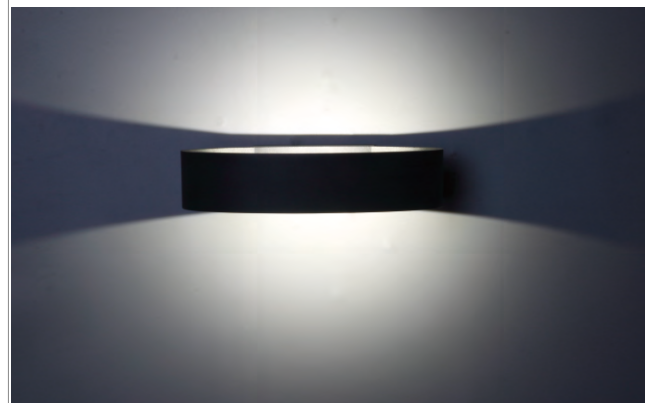
Light Source	COB
LED Driver	Isolation LED driver
CRI	>80
Power Factor	>0.6
IK	IK06
Class	Class 1
IP Rate	IP65

Ordering info.

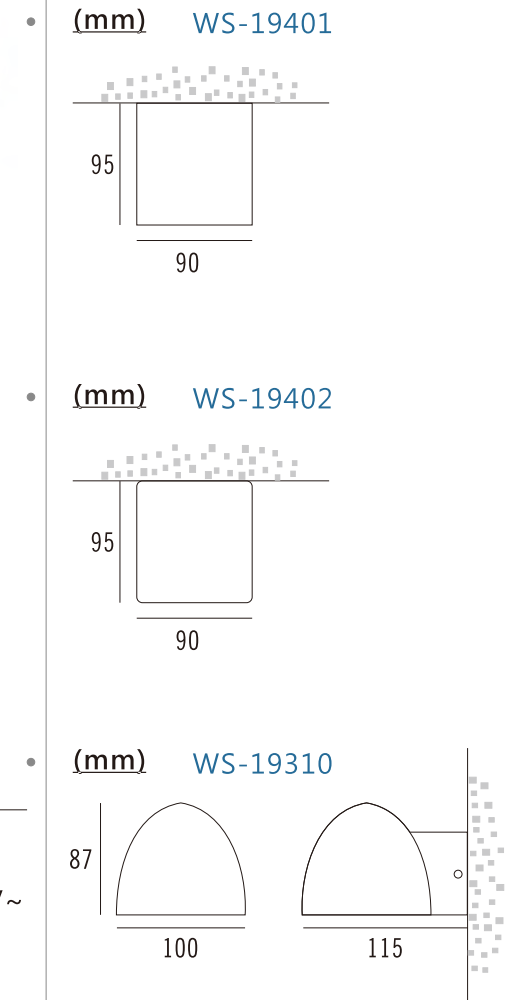
Model	Power	Luminous	Length	Input
WS-19301	6W	420lm	385mm	1)110V~ 2)230V~ 3)80V-265V~

Model	Power	Luminous	Length	Input
WS-19302	6W	420lm	430mm	1)110V~ 2)230V~ 3)80V-265V~

Model	Power	Luminous	Length	Input
WS-19303	6W	420lm	485mm	1)110V~ 2)230V~ 3)80V-265V~



- **Luminaire material**
Die-casting aluminium with powder coat or electro-plated finish
- **Diffuser**
Toughened glass
- **Connection**
Terminal block
- **Installation**
Screws



Ordering info.

Model	Power	Luminous	Diffuser	Input
WS-19401	6W/COB	600lm	1)Clear 2)Frost	1)110V~ 2)230V~ 3)80V-265V~

Model	Power	Luminous	Diffuser	Input
WS-19402	6W/COB	600lm	1)Clear 2)Frost	1)110V~ 2)230V~ 3)80V-265V~

Model	Lamp Holder	Diffuser	Max.
WS-19310	GU10	1)Clear 2)Frost	50W





Model No.: WS-1001

L 220mm W 60mm H 70mm

110V~60Hz, 230V~50Hz IP65
COB & SMD 7W



Model No.: WS-1005

L 120mm W 175mm H 220mm

110V~60Hz, 230V~50Hz IP65
COB 2x3W



Model No.: SD-1005

L 120mm W 150mm H 255mm

110V~60Hz, 230V~50Hz IP65
COB 2x3W



Model No.: WS-1031

L 150mm W 42mm H 150mm

110V~60Hz, 230V~50Hz IP65
SMD 2x4W



Model No.: WS-1039

L 230mm W 65mm H 100mm

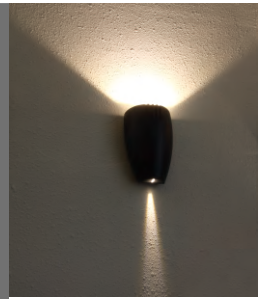
110V~60Hz, 230V~50Hz IP65
SMD 13W



Model No.: WS-1040-B

L 250mm W 133mm H 55mm

110V~60Hz, 230V~50Hz IP65
SMD 13W



Model No.: WS-1007

L 125mm W 76mm H 188mm

110V~60Hz, 230V~50Hz IP65
COB & SMD 7W



Model No.: WS-1010

L 105mm W 60mm H 200mm

110V~60Hz, 230V~50Hz IP65
H.P. 2x6W



Model No.: WS-1013

L 98mm W 90mm H 98mm

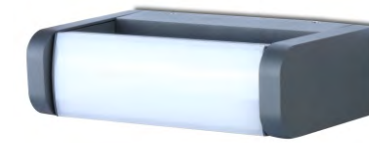
110V~60Hz, 230V~50Hz IP65
H.P. 2x3W



Model No.: WS-1041

L 150mm W 56mm H 200mm

110V~60Hz, 230V~50Hz IP65
COB & SMD 9W



Model No.: WS-1044

L 200mm W 110mm H 58mm

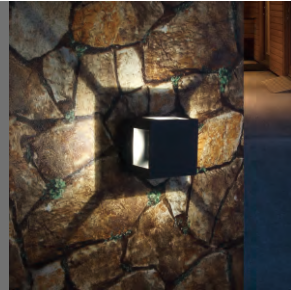
110V~60Hz, 230V~50Hz IP65
SMD 6W



Model No.: WS-1045

L 200mm W 110mm H 113mm

110V~60Hz, 230V~50Hz IP65
SMD 2x6W



ROTATABLE

Model No.: WS-1012

L 95mm W 93mm H 95mm

110V~60Hz, 230V~50Hz IP65
H.P. 4x3W



Model No.: WS-1016

L 71mm W 112mm H 128mm

110V~60Hz, 230V~50Hz IP65
COB 5W



Model No.: WS-1017

L 88mm W 140mm H 88mm

110V~60Hz, 230V~50Hz IP65
H.P. 2x3W



Model No.: WS-1046

L 115mm W 135mm H 50mm

110V~60Hz, 230V~50Hz IP65
SMD 10W



ROTATABLE

Model No.: WS-1048

L 150mm W 180mm H 120mm

110V~60Hz, 230V~50Hz IP54
SMD 6W



Model No.: WS-1052

L 160mm W 52mm H 155mm

110V~60Hz, 230V~50Hz IP54
SMD 10W



ADJUSTABLE

Model No.: WS-1021

L 100mm W 103mm H 100mm

110V~60Hz, 230V~50Hz IP65
H.P. 2x3W



ROTATABLE

Model No.: WS-1025-RD

L 140mm W 140mm H 60mm

110V~60Hz, 230V~50Hz IP54
SMD 10W

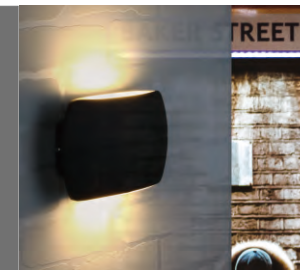


ROTATABLE

Model No.: WS-1025-SQ

L 140mm W 140mm H 60mm

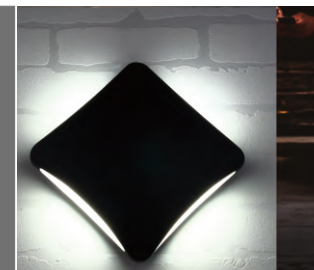
110V~60Hz, 230V~50Hz IP54
SMD 10W



Model No.: WS-1060

L 200mm W 50mm H 110mm

110V~60Hz, 230V~50Hz IP54
SMD 6W



Model No.: WS-1059

L 155mm W 45mm H 155mm

110V~60Hz, 230V~50Hz IP54
SMD 12W



Model No.: WS-1062

L 89mm W 65mm H 65mm

110V~60Hz, 230V~50Hz IP65
SMD 2x3W





Model No.: WS-1063

L 180mm W 64mm H 70mm

110V~60Hz, 230V~50Hz IP65
SMD 2x6W



Model No.: WS-1066

L 93mm W 90mm H 53mm

110V~60Hz, 230V~50Hz IP65
SMD 4W



Model No.: WS-1070-RD

L 90mm W 65mm H 160mm

110V~60Hz, 230V~50Hz IP54
H.P. 2x6W



Model No.: WS-1090

L 98mm W 70mm H 158mm

110V~60Hz, 230V~50Hz IP65
SMD 8W



Model No.: WS-1091

L 98mm W 88mm H 270mm

110V~60Hz, 230V~50Hz IP65
SMD 15W



Model No.: WS-1094

L 83mm W 133mm H 170mm

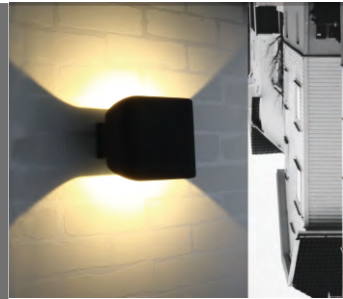
110V~60Hz, 230V~50Hz IP54
H.P. 2x1W



Model No.: WS-1070-SQ

L 90mm W 65mm H 160mm

110V~60Hz, 230V~50Hz IP54
H.P. 2x6W



Model No.: WS-1075

L 160mm W 90mm H 125mm

110V~60Hz, 230V~50Hz IP65
H.P. 6W



Model No.: WS-1078-COB

L 105mm W 115mm H 165mm

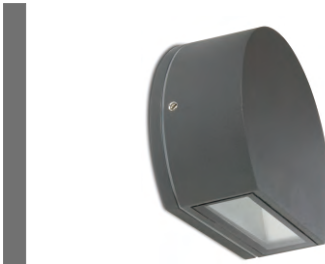
110V~60Hz, 230V~50Hz IP65
H.P. 6W



Model No.: WS-1093

L 83mm W 48mm H 170mm

110V~60Hz, 230V~50Hz IP54
H.P. 2x1W



Model No.: WS-1095-RD

L 106mm W 42mm H 89mm

110V~60Hz, 230V~50Hz IP54
H.P. 3W



Model No.: WS-1095-SQ

L 89mm W 41mm H 89mm

110V~60Hz, 230V~50Hz IP54
H.P. 3W



Model No.: WS-1078-GU

L 105mm W 115mm H 165mm

110V~60Hz, 230V~50Hz IP65
GU10 Max 35W



Model No.: WS-1079

L 105mm W 128mm H 165mm

110V~60Hz, 230V~50Hz IP65
COB 6W or GU10



Model No.: WS-1017

L 88mm W 140mm H 88mm

110V~60Hz, 230V~50Hz IP65
H.P. 2x3W



Model No.: WS-1096-D

L 62mm W 41mm H 86mm

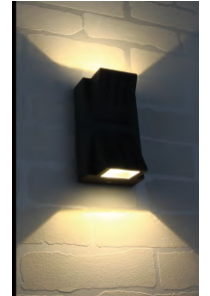
110V~60Hz, 230V~50Hz IP65
H.P. 3W



Model No.: WS-1097-D

L 80mm W 60mm H 80mm

110V~60Hz, 230V~50Hz IP65
H.P. 3W



Model No.: WS-1097-UD

L 80mm W 60mm H 145mm

110V~60Hz, 230V~50Hz IP65
H.P. 2x3W



Model No.: WS-1082

L 120mm W 58mm H 80mm

110V~60Hz, 230V~50Hz IP65
H.P. 8W



Model No.: WS-1086

L 220mm W 75mm H 32mm

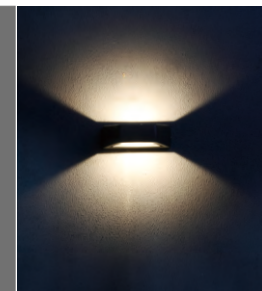
110V~60Hz, 230V~50Hz IP65
SMD 8W



Model No.: WS-1088-UD

L 220mm W 75mm H 58mm

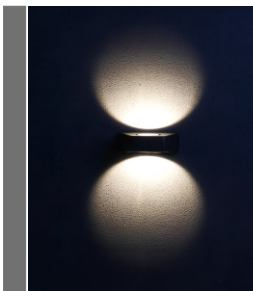
110V~60Hz, 230V~50Hz IP65
SMD 2x8W



Model No.: WS-1100

L 145mm W 96mm H 50mm

110V~60Hz, 230V~50Hz IP65
H.P. 6W



Model No.: WS-1099

L 146mm W 96mm H 50mm

110V~60Hz, 230V~50Hz IP65
H.P. 6W



Model No.: WS-1102

L 98mm W 86mm H 98mm

110V~60Hz, 230V~50Hz IP65
H.P. 6W



Model No.: WS-1104

L 98mm W 86mm H 98mm

110V~60Hz, 230V~50Hz IP65
COB & SMD 7W



Model No.: WS-1107

L 115mm W 50mm H 106mm

110V~60Hz, 230V~50Hz IP54
SMD 2x3W



Model No.: WS-1108

L 175mm W 50mm H 106mm

110V~60Hz, 230V~50Hz IP54
COB 2x6W



Model No.: WS-1131

L 230mm W 59mm H 70mm

110V~60Hz, 230V~50Hz IP65
SMD 12W



Model No.: WS-1135

L 135mm W 105mm H 225mm

110V~60Hz, 230V~50Hz IP65
SMD 12W



Model No.: SD-1139

L 242mm W 150mm H 129mm

110V~60Hz, 230V~50Hz IP65
SMD 12W or E27



Model No.: WS-1105

L 115mm W 35mm H 90mm

110V~60Hz, 230V~50Hz IP54
SMD 2x3W



Model No.: WS-1106

L 175mm W 35mm H 90mm

110V~60Hz, 230V~50Hz IP54
SMD 2x6W



Model No.: WS-1110

L 236mm W 68mm H 78mm

110V~60Hz, 230V~50Hz IP65
SMD 9W



Model No.: WS-1141

L 240mm W 45mm H 120mm

110V~60Hz, 230V~50Hz IP65
SMD 10W



Model No.: WS-1145

L 135mm W 45mm H 230mm

110V~60Hz, 230V~50Hz IP65
SMD 12W



Model No.: WS-1149

L 170mm W 71mm H 170mm

110V~60Hz, 230V~50Hz IP65
SMD 8W



Model No.: WS-1109

L 145mm W 75mm H 155mm

110V~60Hz, 230V~50Hz IP65
SMD 10W



Model No.: WS-1112-RD

L 150mm W 50mm H 150mm

110V~60Hz, 230V~50Hz IP65
SMD 10W



Model No.: WS-1112-SQ

L 150mm W 50mm H 150mm

110V~60Hz, 230V~50Hz IP65
SMD 10W



Model No.: WS-1153

L 250mm W 110mm H 100mm

110V~60Hz, 230V~50Hz IP54
SMD 12W or E27



Model No.: WS-1155-UD

L 70mm W 120mm H 65mm

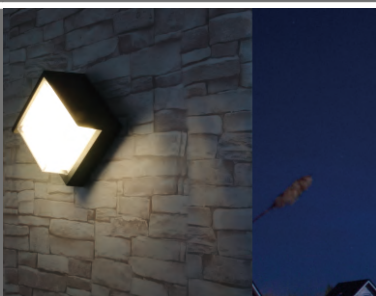
110V~60Hz, 230V~50Hz IP65
SMD 2x4W



Model No.: CL-5100-RD

L 110mm W 110mm H 80mm

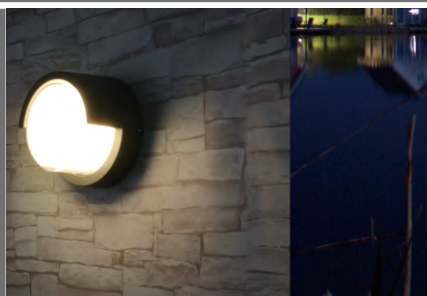
110V~60Hz, 230V~50Hz IP65
SMD 10W



Model No.: WS-1113-SQ

L 160mm W 102mm H 160mm

110V~60Hz, 230V~50Hz IP65
SMD 15W



Model No.: WS-1113-RD

L 160mm W 102mm H 160mm

110V~60Hz, 230V~50Hz IP65
SMD 15W



Model No.: WS-1121

L 2000mm W 45mm H 115mm

110V~60Hz, 230V~50Hz IP65
SMD 5W



Model No.: WS-3110-90

L 90mm W 125mm H 215mm

110V~60Hz, 230V~50Hz IP54
COB 2x6W



Model No.: WS-3110-102

L 102mm W 140mm H 285mm

110V~60Hz, 230V~50Hz IP54
COB 2x10W



Model No.: WS-3120-90

L 90mm W 125mm H 215mm

110V~60Hz, 230V~50Hz IP54
COB 2x6W



Model No.: WS-3130-COB

L 102mm W 138mm H 183mm

110V~60Hz, 230V~50Hz IP65
COB 2x6W



Model No.: WS-3140-GU

L 108mm W 147mm H 250mm

110V~60Hz, 230V~50Hz IP65
GU10



Model No.: CL-5130

L 102mm W 102mm H 120mm

110V~60Hz, 230V~50Hz IP54
COB 6W or GU10



Model No.: WS-4301-280

L 280mm W 280mm H 75mm

110V~60Hz, 230V~50Hz IP65
SMD 16W



Model No.: WS-4402-SMD

L 275mm W 275mm H 86mm

110V~60Hz, 230V~50Hz IP65
SMD 18W



Model No.: WS-4431

L 250mm W 250mm H 55mm

110V~60Hz, 230V~50Hz IP65
SMD 16W



Model No.: WS-3151-RD

L 67mm W 93mm H 152mm

110V~60Hz, 230V~50Hz IP54
GU10



Model No.: WS-3151-SQ

L 67mm W 93mm H 152mm

110V~60Hz, 230V~50Hz IP54
GU10



Model No.: WS-3160-65

L 65mm W 120mm H 170mm

110V~60Hz, 230V~50Hz IP65
GU10



Model No.: WS-6011

L 240mm W 45mm H 82mm

110V~60Hz, 230V~50Hz IP65
SMD 8W



Model No.: WS-6020

L 90mm W 31mm H 150mm

110V~60Hz, 230V~50Hz IP65
SMD 3W



Model No.: WS-6022

L 135mm W 31mm H 135mm

110V~60Hz, 230V~50Hz IP65
SMD 3W



Model No.: WS-3162-92

L 92mm W 160mm H 265mm

110V~60Hz, 230V~50Hz IP65
E27



Model No.: WS-3203-UD

L 98mm W 112mm H 128mm

110V~60Hz, 230V~50Hz IP65
GU10



Model No.: WS-3204-D

L 108mm W 130mm H 216mm

110V~60Hz, 230V~50Hz IP65
GU10



Model No.: WR-6302

L 140mm W 74mm H 140mm

110V~60Hz, 230V~50Hz IP65
SMD 3W



Model No.: WR-6341

L 210mm W 66mm H 90mm

110V~60Hz, 230V~50Hz IP65
SMD 12W



Model No.: WR-6351

L 170mm W 65mm H 114mm

110V~60Hz, 230V~50Hz IP65
H.P. 4x3W



Model No.: WS-4001

L 198mm W 312mm H 334mm

110V~60Hz, 230V~50Hz IP44
E27



Model No.: WS-4002

L 198mm W 198mm H 900mm

110V~60Hz, 230V~50Hz IP44
E27



Model No.: WS-1025-SQ

L 140mm W 140mm H 60mm

110V~60Hz, 230V~50Hz IP65
COB & SMD 7W



Model No.: GD-7132

L 61mm W 61mm H 257mm

110V~60Hz, 230V~50Hz IP65
H.P. 2x3W



Model No.: UG-8100-6x1W

L 162mm W 162mm H 115mm

110V~60Hz, 230V~50Hz IP65
H.P. 6x1W



Model No.: GD-7340-RD

L 150mm W 150mm H 80mm

110V~60Hz, 230V~50Hz IP65
SMD 10W